

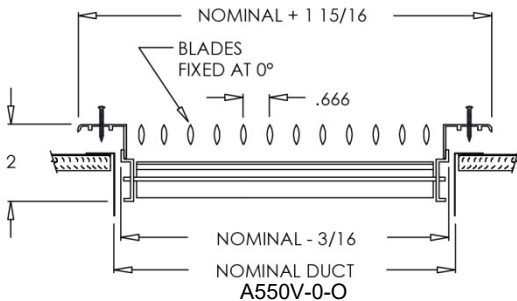
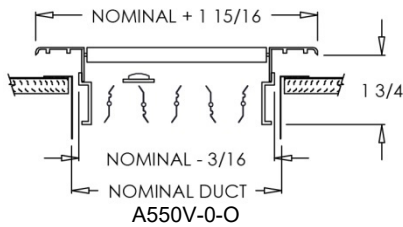
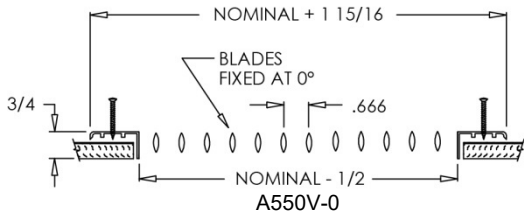
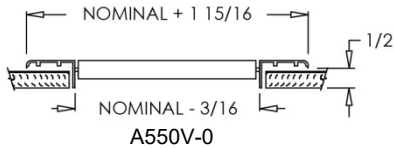
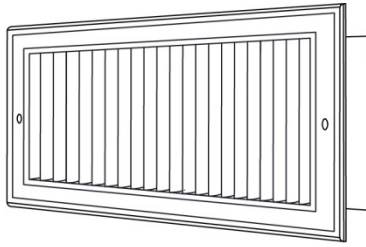


AJ Manufacturing Co., Inc.
 8701 Elmwood Avenue
 Suite 400
 Kansas City, MO 64132-1603
www.ajmfg.com

Commercial Submittal Sheet

A550V-0 Series

Aluminum Airfoil Blade Grille



Model: A550V-0

Description: Aluminum Airfoil Blade Grille with 0° Fixed Blade (blades parallel to shortest dimension)

Standard Features:

- Surface mount fixed blade grille with airfoil blades at 0°
- Blades are parallel to shortest dimension
- Blades are spaced at 2/3"
- Extruded aluminum surface mount frame with signature line marks
- Countersunk mounting holes for flush appearance with color matching Phillips posi-drive screws
- Rust resistant pre-coat with durable powder finish
- Soft White

Options:

- Recessed screwdriver operated Opposed Blade Damper (A550V-0-O)
- 2" ADC compliant round collar with bead for ease of installation (square sizes only)
- Heavy duty construction
- MRI Compatible
- Insect Screen
- Fractional, exact I.D. and O.D. sizes
- T-20 Tamper Proof Screws

Finishes:

Standard Colors

- Soft White
- Driftwood Tan

Designer Colors

- Almond
- Black Velvet
- Bronze
- Camaro Silver
- Coffee Tan
- Navajo White
- Vanilla

Other

- Aluminum Paint
- Glossy White
- Satin Anodized
- Mill Finish

Additional Information:

Project / Location:
Engineer:
Architect:
Contractor:

Submittal Notes
