

SSBG

LINEAR BAR GRILLE

STANDARD CONSTRUCTION

- 304 Stainless Steel

ORDER SIZE (Duct Opening Size)

W: _____ x H: _____

MATERIAL OPTIONS

316 Stainless Steel

FINISH OPTIONS

- Polished
- White Antimicrobial Powder Coat
- Other: _____

BAR SIZE/SPACING OPTIONS

- 1/8" Bars with 3/8" Spacing
- 1/8" Bars with 1/2" Spacing
- 1/4" Bars with 1/2" Spacing

BAR DEFLECTION OPTIONS

- 0° (Std)
- 15°

BACK SUPPORT OPTIONS

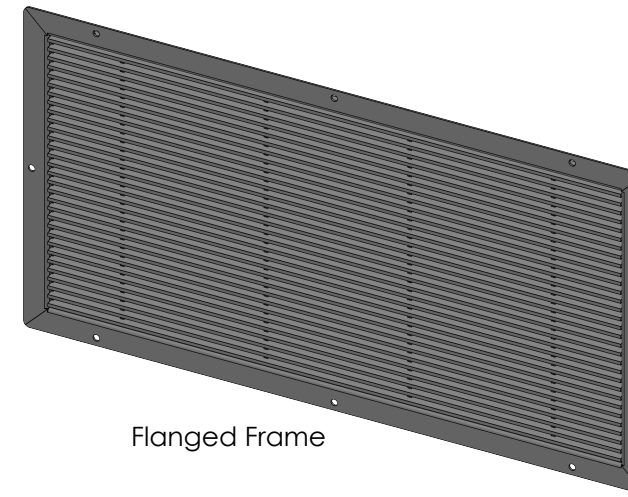
- 6" Spacing (Floor Grilles)
- 12" Spacing (Wall Grilles)

DAMPER OPTIONS

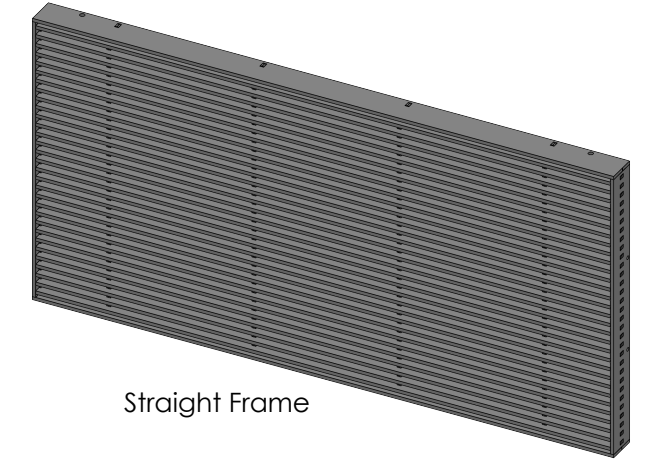
- S-44 - Opposed Blade Damper

FRAME OPTIONS

- Flanged Frame**
 - Mounting Options
 - Countersunk Screw Holes (Std)
 - Lay-In (No Mounting Holes)
 - Concealed Mount (Req's 1.25" Depth)
 - Flange Options
 - 1" Flange Width (Std)
 - Custom Flange Width: _____
 - Frame Depth Options
 - 1" Depth (Std)
 - Custom Frame Depth: _____
- Straight Frame**
 - Mounting Options
 - Concealed Mount (Std)
 - Lay-In (No Mounting Holes)
 - Frame Depth Options
 - 1.25" Depth (Std)
 - Custom Frame Depth: _____



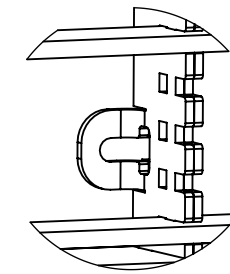
Flanged Frame



Straight Frame

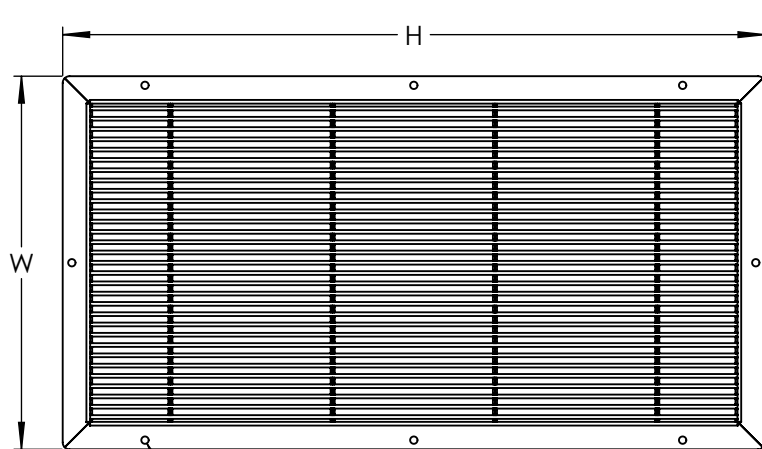
FRAME STYLE	NOMINAL SIZE	OVERALL WIDTH (W)	OVERALL HEIGHT (H)	NECK WIDTH (NW)	NECK HEIGHT (NH)
Flanged	24 x 24	25.60	25.60	23.75	23.75
	50 x 16	51.60	17.60	49.75	15.75
	Other	Nominal + 1.60	Nominal + 1.60	Nominal - 0.25	Nominal - 0.25
Straight	24 x 24	23.94	23.94	--	--
	32 x 7	31.94	6.94	--	--
	Other	Nominal - 0.06	Nominal - 0.06	--	--

*** Note:**
 59" Nominal Max Width for Single Section
 36" Nominal Max Height for Single Section
 (Multi-Sections Available)

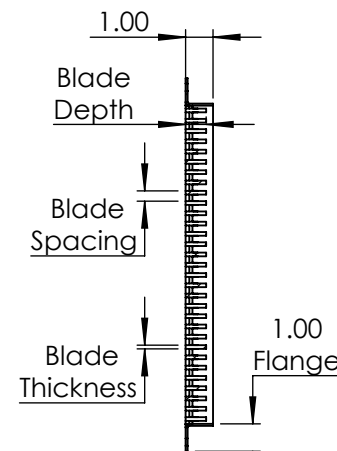


Concealed Mounting Tab Detail

(Some Bars Removed for Clarity)

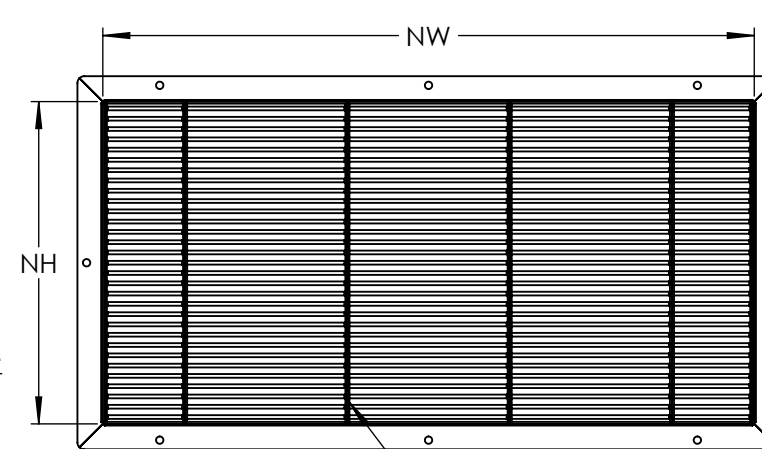


Countersunk Screw Holes (Typ)

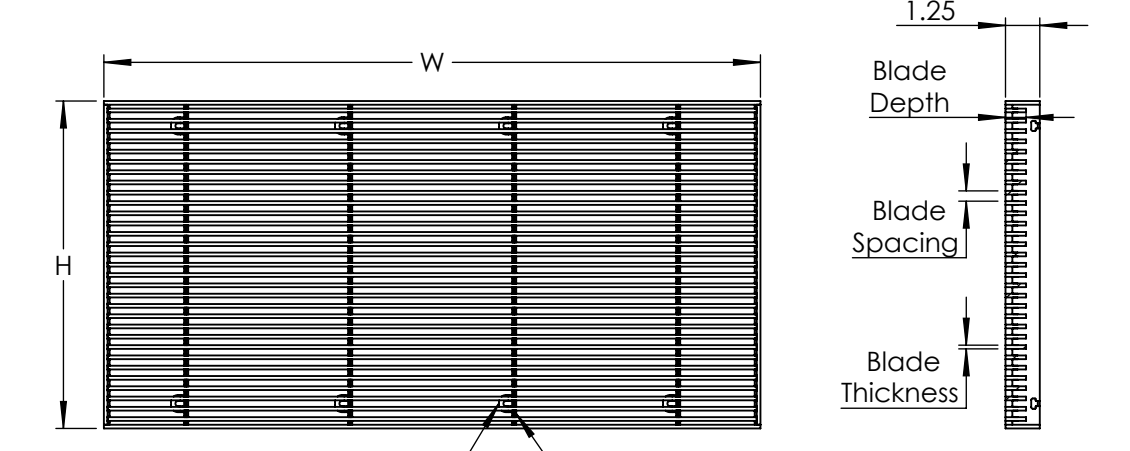


SECTION A-A

FLANGED FRAME



Back Supports (Typ)



SECTION B-B

STRAIGHT FRAME

Concealed Mounting Tabs (Typ)

Back Supports (Typ)



AJ MANUFACTURING CO.
 8701 ELMWOOD AVE #400 KANSAS CITY, MO 64132
 PH: 816.231.5522 FAX: 816.231.8437
 TOLL FREE: 800.247.5746
 WWW.AJMFG.COM