

SSPD

SQUARE PANEL DIFFUSER

STANDARD CONSTRUCTION

- 304 Stainless Steel

MOUNTING OPTIONS

- Surface Mount
- Lay-In

FEATURE OPTIONS

- No Countersunk Screw Holes
(Surface Mount Only)

INLET/OUTLET OPTIONS

- Round - Size: _____
- Square - Size: _____
 - Flanged
- Rectangle - Size: _____
 - Flanged

MATERIAL OPTIONS

- 316 Stainless Steel

FINISH OPTIONS

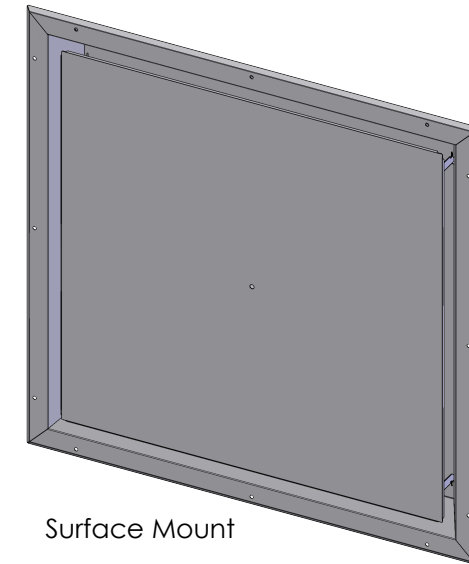
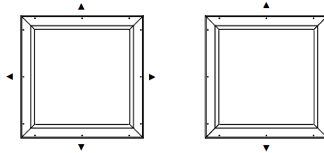
- Polished
- White Antimicrobial Powder Coat
- Other: _____

DAMPER OPTIONS

- SSRD - Butterfly Damper

AIRFLOW PATTERNS

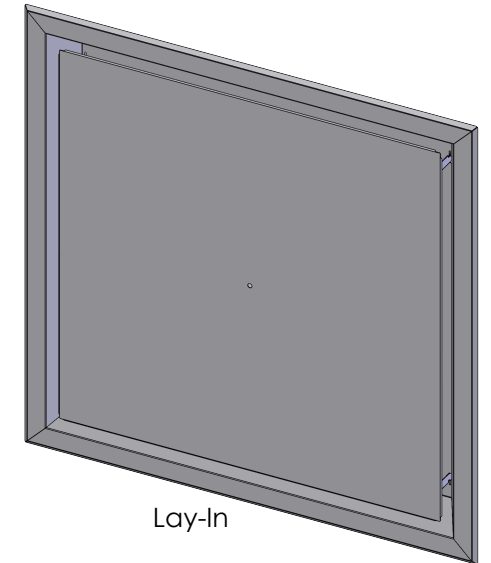
- 4-Way
- 2-Way



Surface Mount



AJ MANUFACTURING CO.
 8701 ELMWOOD AVE #400 KANSAS CITY, MO 64132
 PH: 816.231.5522 FAX: 816.231.8437
 TOLL FREE: 800.247.5746
 WWW.AJMFG.COM



Lay-In

MOUNTING STYLE	NOMINAL SIZE	OVERALL WIDTH (W)	OVERALL HEIGHT (H)	NECK WIDTH (NW)	NECK HEIGHT (NH)
Surface Mount	12 x 12	14.61	14.61	11.21	11.21
	24 x 24	26.61	26.61	23.21	23.21
	Other	Nominal + 2.61	Nominal + 2.61	Nominal - 0.79	Nominal - 0.79
Lay-In	12 x 12	11.75	11.75	8.35	8.35
	24 x 24	23.75	23.75	20.35	20.35
	Other	Nominal - 0.25	Nominal - 0.25	Nominal - 3.65	Nominal - 3.65

