

550

SINGLE DEFLECTION RETURN GRILLE

STANDARD CONSTRUCTION

- 304 Stainless Steel

MOUNTING OPTIONS

- Surface Mount
- Lay-In

FEATURE OPTIONS

- No Countersunk Screw Holes
(Surface Mount Only)
- Lay-In Panel

INLET/OUTLET OPTIONS

- Round - Size: _____
- Square - Size: _____
 - Flanged
- Rectangle - Size: _____
 - Flanged

DAMPER OPTIONS

- SSRD - Butterfly Damper
- SSBD - Bowtie Damper
- S-44 - Opposed Blade Damper

MATERIAL OPTIONS

- 316 Stainless Steel

FINISH OPTIONS

- Polished
- White Antimicrobial Powder Coat
- Other: _____

BLADE OPTIONS

- Heavy Duty *(See Page 2)*
- Long Throw *(See Page 3)*
 - Blade Depth
 - 1.50" (Std)
 - 3.00"

BLADE SPACING OPTIONS

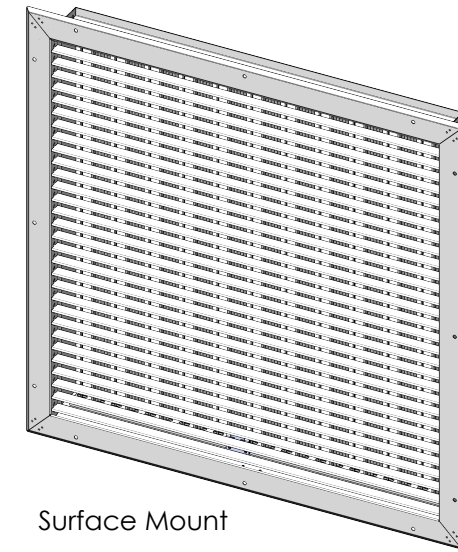
- 0.75" (Std)
- Custom

BLADE DIRECTION OPTIONS

- Horizontal
- Vertical

BLADE ANGLE OPTIONS

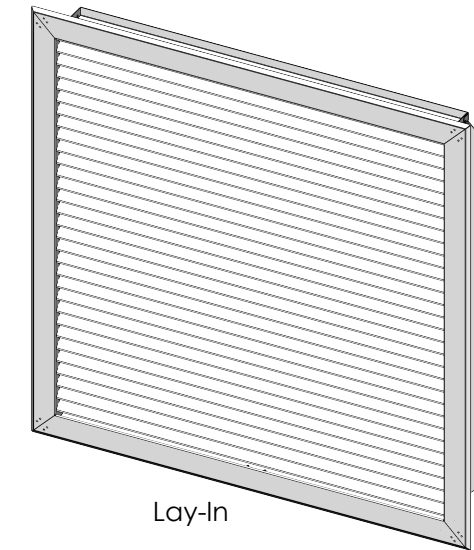
- 0°
- 45°



Surface Mount

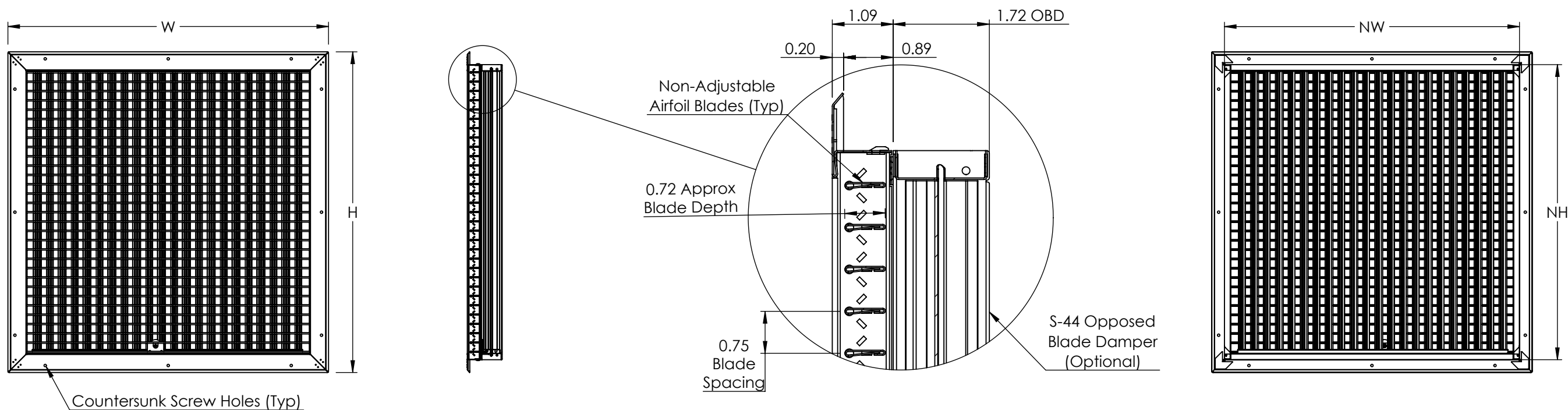


AJ MANUFACTURING CO.
 8701 ELMWOOD AVE #400 KANSAS CITY, MO 64132
 PH: 816.231.5522 FAX: 816.231.8437
 TOLL FREE: 800.247.5746
 WWW.AJMFG.COM



Lay-In

MOUNTING STYLE	NOMINAL SIZE	OVERALL WIDTH (W)	OVERALL HEIGHT (H)	NECK WIDTH (NW)	NECK HEIGHT (NH)
Surface Mount	12 x 12	13.81	13.81	11.75	11.75
	24 x 24	25.81	25.81	23.75	23.75
	Other	Nominal + 1.81	Nominal + 1.81	Nominal - 0.25	Nominal - 0.25
Lay-In	12 x 12	11.81	11.81	9.75	9.75
	24 x 24	23.81	23.81	21.75	21.75
	Other	Nominal - 0.19	Nominal - 0.19	Nominal - 2.25	Nominal - 2.25



550-HD

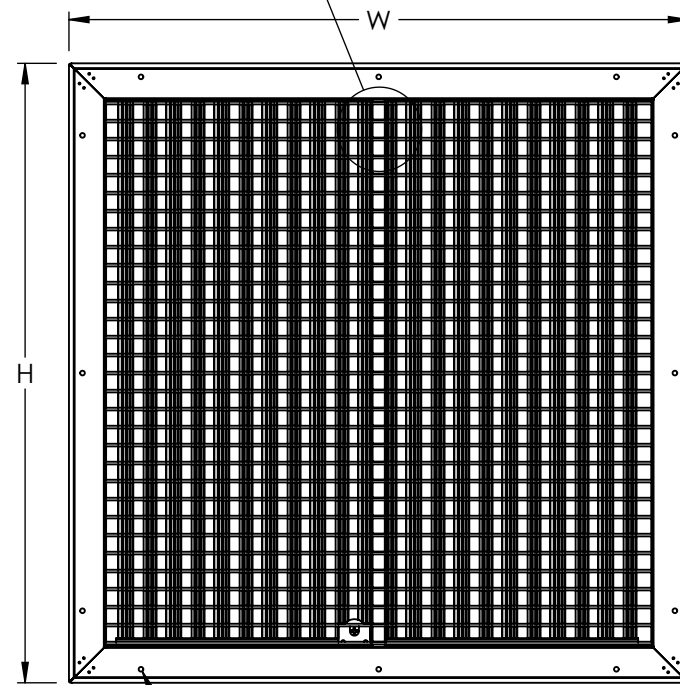
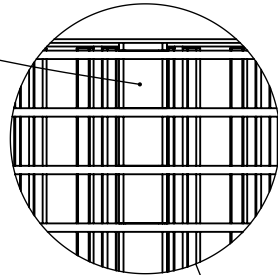
SINGLE DEFLECTION RETURN GRILLE HEAVY DUTY



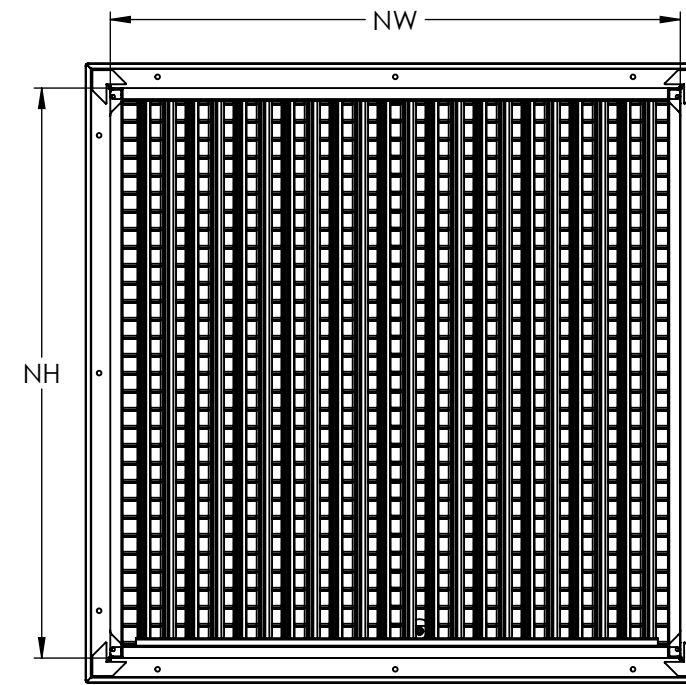
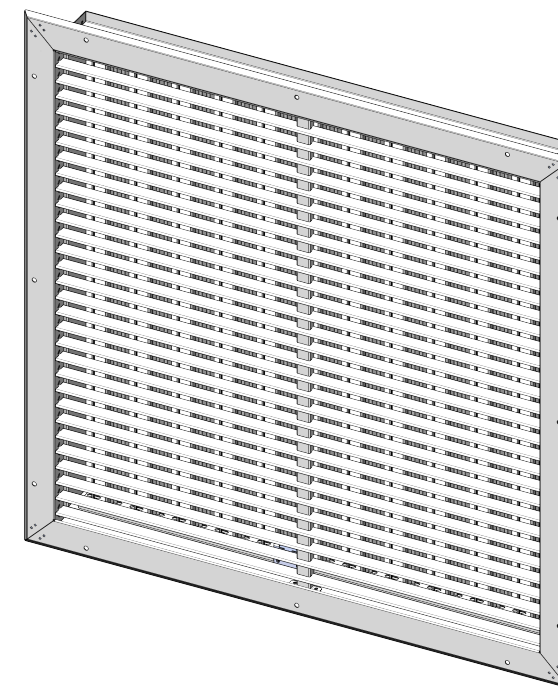
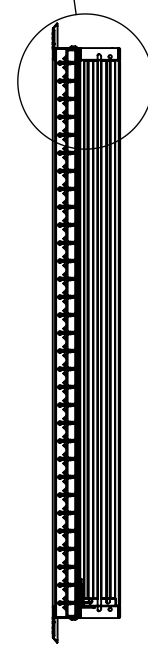
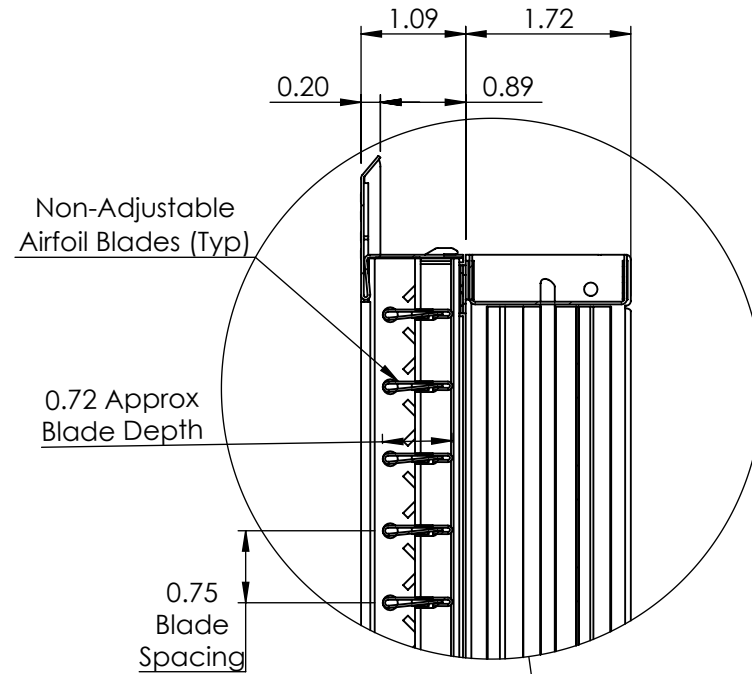
AJ MANUFACTURING CO.
8701 ELMWOOD AVE #400 KANSAS CITY, MO 64132
PH: 816.231.5522 FAX: 816.231.8437
TOLL FREE: 800.247.5746
WWW.AJMFG.COM

Heavy Duty Bracing

- Horizontal Blades - 1 Support per 24" in Width of the Unit
- Vertical Blades - 1 Support per 24" in Height of the Unit



Countersunk Screw Holes (Typ)



550-LT

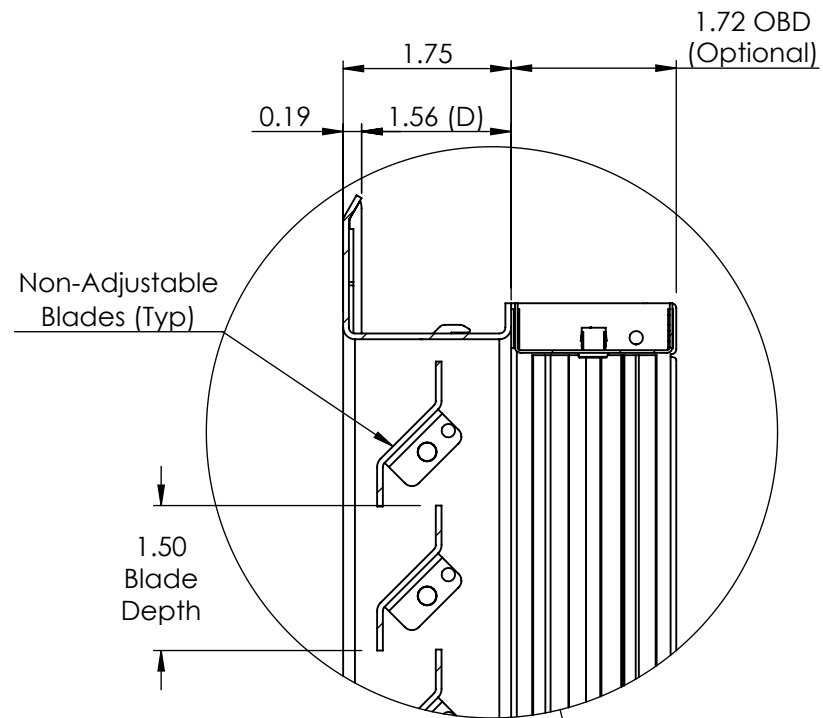
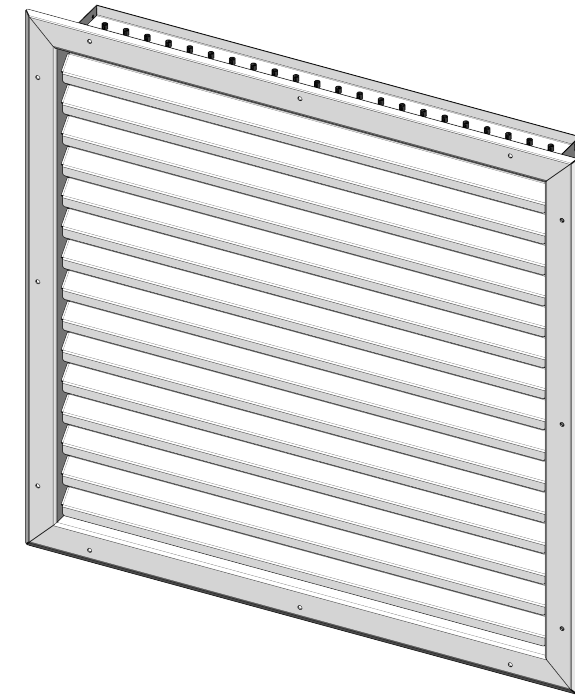
SINGLE DEFLECTION RETURN GRILLE LONG THROW

*** Note:**

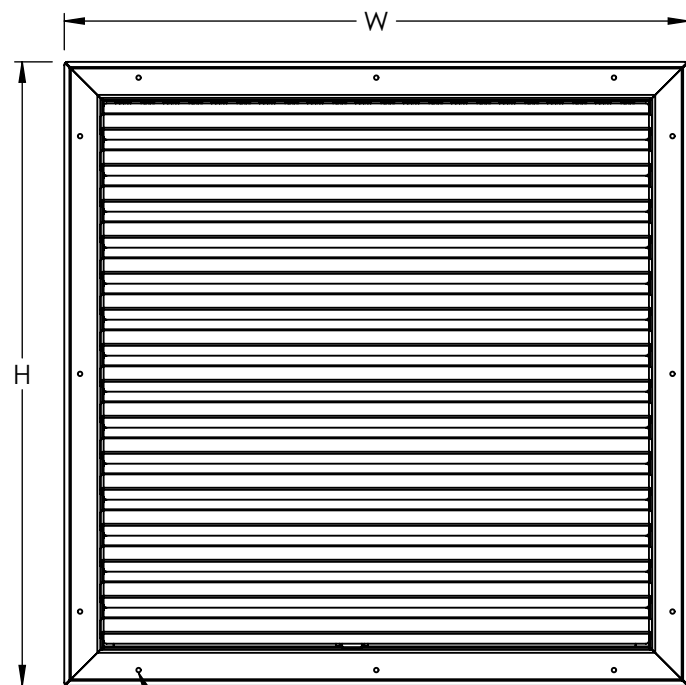
- Blade Depth Typically Equal to Blade Spacing
- Blade Depth will Alter Unit Depth (D)



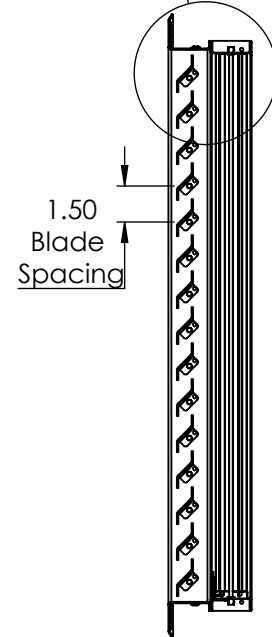
AJ MANUFACTURING CO.
 8701 ELMWOOD AVE #400 KANSAS CITY, MO 64132
 PH: 816.231.5522 FAX: 816.231.8437
 TOLL FREE: 800.247.5746
 WWW.AJMFG.COM



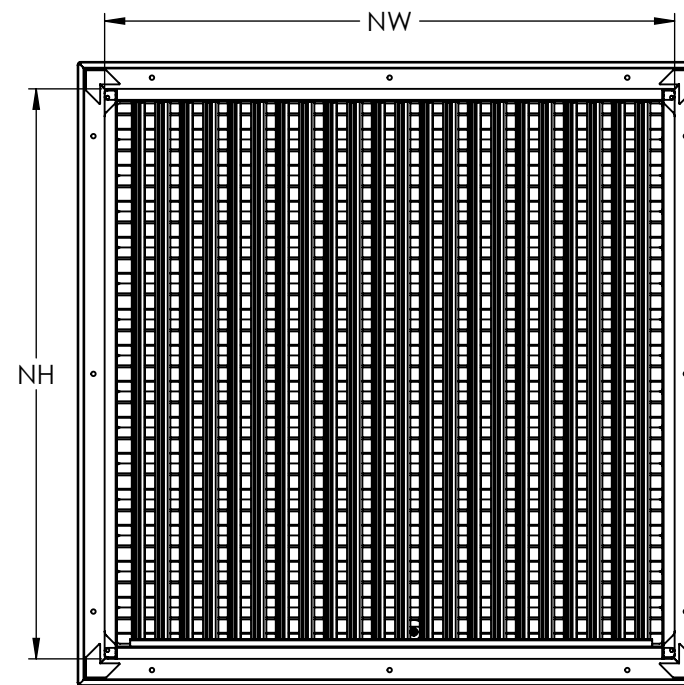
MOUNTING STYLE	NOMINAL SIZE	OVERALL WIDTH (W)	OVERALL HEIGHT (H)	NECK WIDTH (NW)	NECK HEIGHT (NH)
Surface Mount	12 x 12	14.00	14.00	11.75	11.75
	24 x 24	26.00	26.00	23.75	23.75
	Other	Nominal + 2.00	Nominal + 2.00	Nominal - 0.25	Nominal - 0.25
Lay-In Panel	24 x 24	23.75	23.75	--	--
	Other	Nominal - 0.25	Nominal - 0.25	--	--



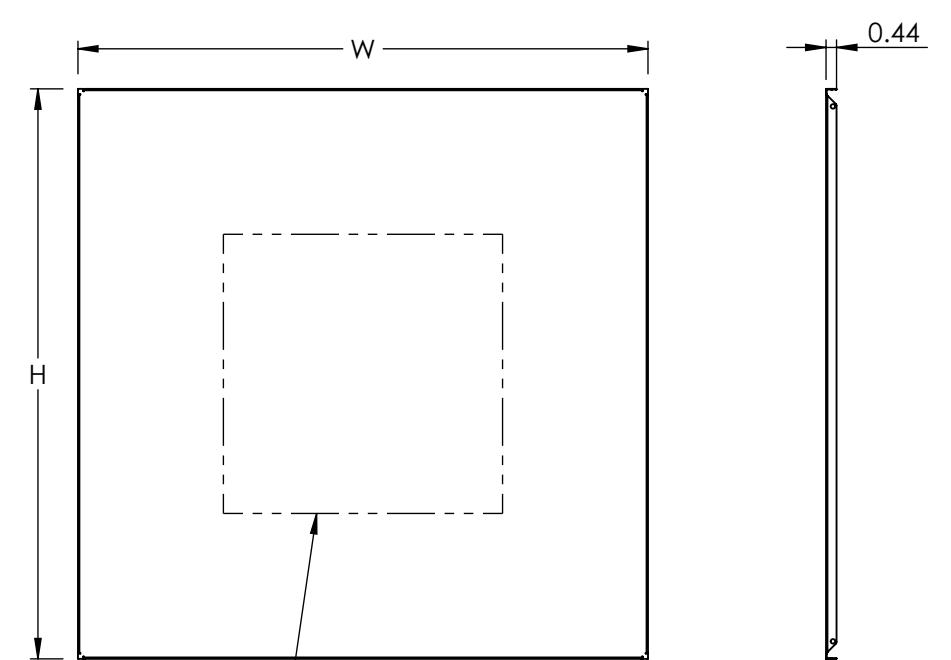
Countersunk Screw Holes (Typ)



SURFACE MOUNT



Nominal Unit Size
 (Max is 2" Smaller than Lay-In Panel Size)



LAY-IN PANEL